

# technical data sheet

## top Rack jacks W.L.L. : 1.5 t to 10 t

réf. : **T 2062 GB**  
rév. n° : **02**  
date : **01/14**  
page : **1/1**

### FUNCTION :

Floor handling of heavy loads up to 400 mm lift. Robust and maintenance free, this type of jack is fully adapted to be used on worksite.

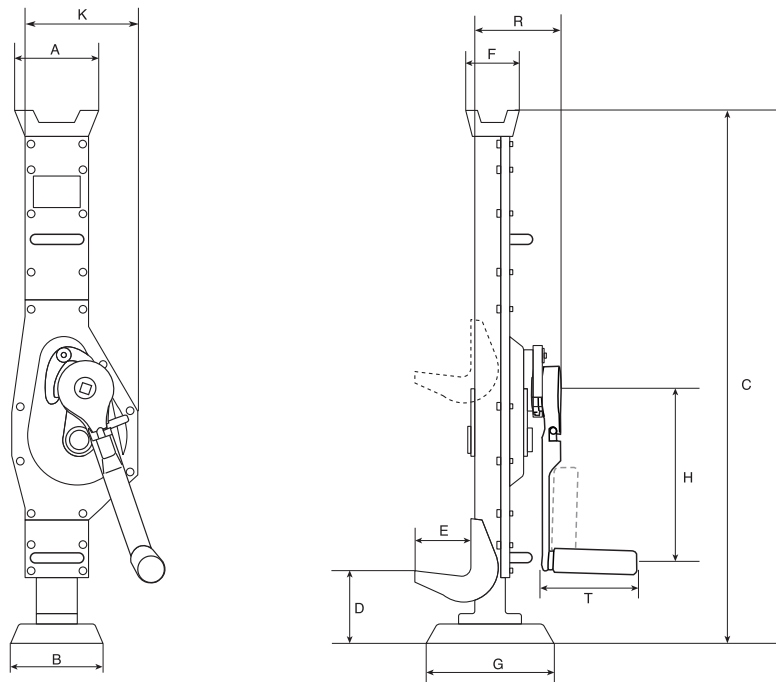
### DESCRIPTION AND PRINCIPLE OF USE :

The " top " rack jack is operated by a crank handle. Lifting is controlled by a crank operating through a ratchet wheel with a double retaining catch, giving the jack additional safety . Lowering is by a locked ratchet, holding the load by friction discs. The load can be lifted by the jack head or by the toe.

### ADVANTAGES :

- Robust construction.
- Working Load Limit applied on head and toe.
- The gear wheels, the pinions and the rack are made of heat treated steel.
- The folding handle ratchet of the crank reduces the overall dimension of the jack during transport.
- Handles for transport are available on all models.

### CHARACTERISTICS :



Models	W.L.L.		Lift	Effort on handle	Weight	Dimensions										
	On head	On toe				A	B	C mini	D mini	E	F	G	H	K	R	T
	t					mm										
BT 1.5	1.5	1.5	300	30	18	81	100	600	70	55	46	110	225	147	119	113
BT 3	3	3	355	35	20	83	130	735	70	60	45	138	249	168	129	130
BT 5	5	5	345	40	28	108	140	735	80	71	68	170	249	190	149	130
BT 10	10	10	390	58	46	124	140	800	100	86	76	170	300	250	168	239